

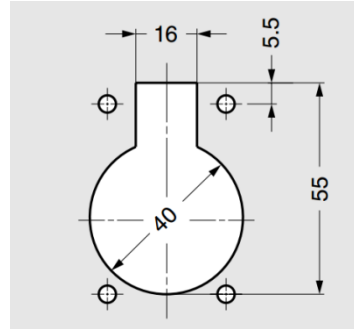
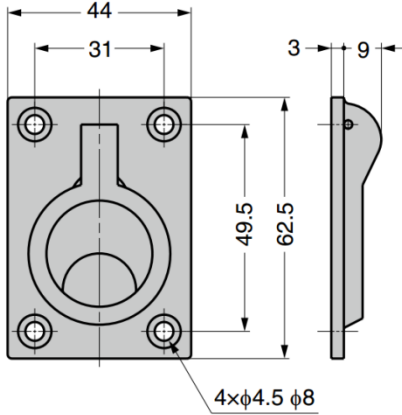
G26901 Stainless Steel 316 Ring Pull

Material

- Stainless steel 316, polished

Recommended Screws

- Countersunk head tapping screw 3.5



Part No.
G26901

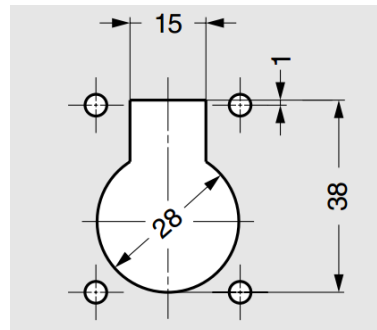
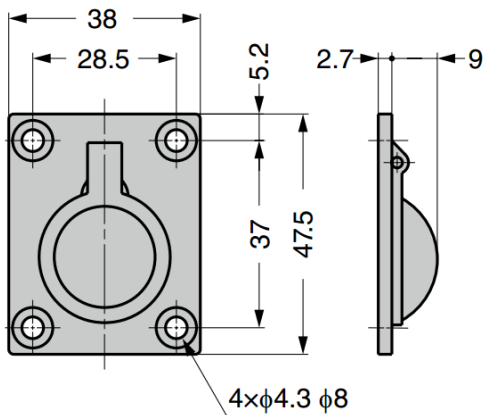
G26900 Stainless Steel 316 Ring Pull

Material

- Stainless steel 316, polished

Recommended Screws

- Countersunk head tapping screw 3.5



Part No.
G26900